

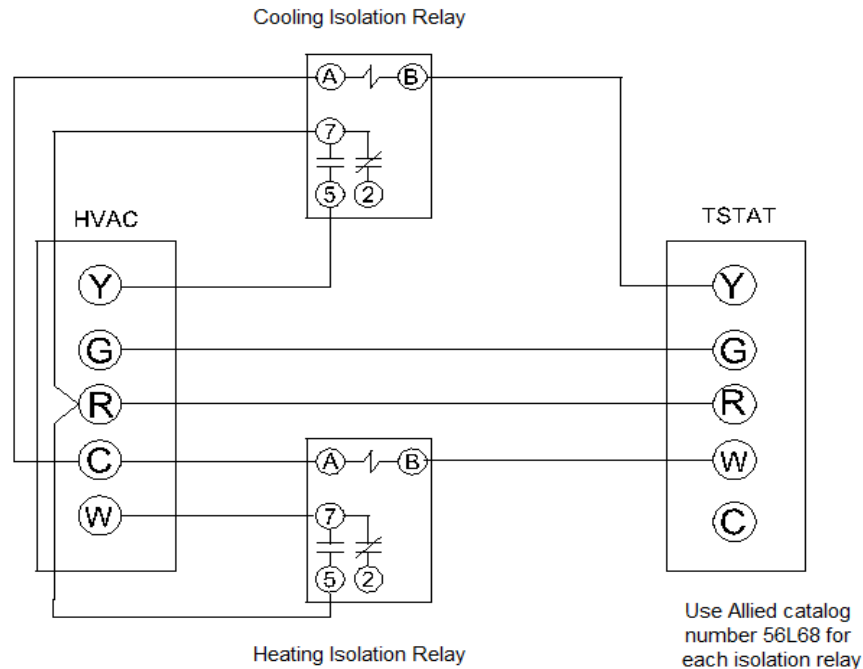
Allied Air Furnaces Equipped with Aftermarket Programmable Thermostats

Allied Air frequently hears complaints of erratic and intermittent operation when an Allied furnace is matched with an aftermarket programmable thermostat such as Nest, Honeywell, Emerson or White Rodgers.

This is usually caused by the thermostat being a power robbing stat (no common wire) or battery powered (once again no common wire). In some cases, use of a common wire on the low voltage connections or an isolation relay between the thermostat and control board will resolve the issues. See the diagram below on how to wire an isolation relay. If the isolation relay does not resolve the issue, a common must be connected or a different thermostat used. See the unit diagram for common wiring connections.

It is recommended that a thermostat from Allied Air always be used with equipment from Allied Air in order to take full advantage of the design features, efficiencies and operating attributes.

If you have any questions, please contact Allied Technical Support at 800-515-3501.



FOR DEALER DISTRIBUTION