

BCE3M*E Air Handler Wiring Diagram

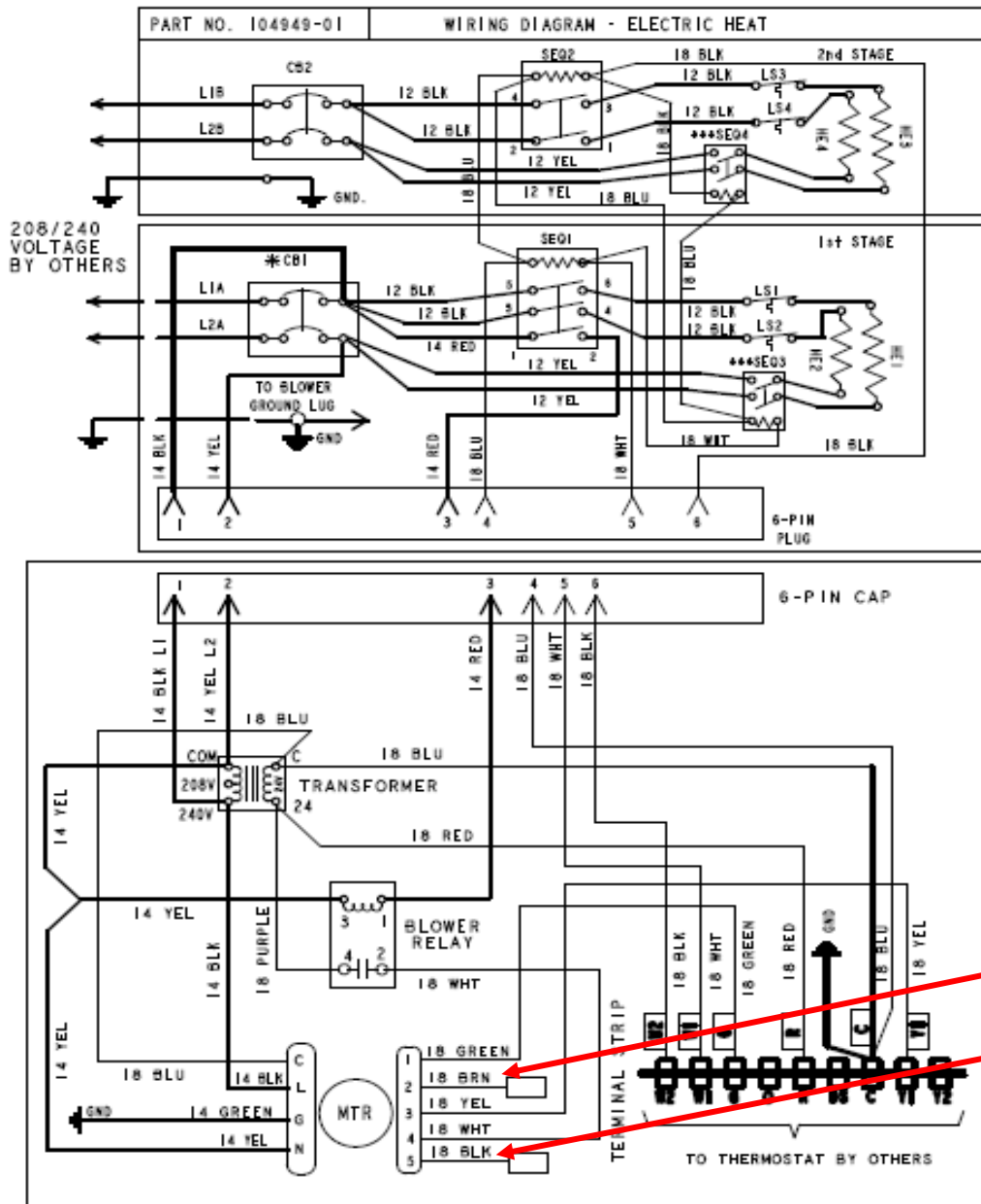
The wiring diagram on the BCE3M*E air handler instructions, with serial numbers beginning with 17, is incorrect. The wiring diagram on the unit is correct. The brown and black wires on the five pin plug that is connected to the constant torque is not connected from the factory. These wires are to be used when your application calls for them. For your application see page 17 Table 4, Motor Speed Taps, in the installation instructions. The following pages are examples of the correct wiring diagram and the incorrect wiring diagram.

If you have any questions, please contact our Technical Services at 800-515-3501.

FOR DEALER DISTRIBUTION

BCE3M*E Air Handler Wiring Diagram

CORRECT WIRING DIAGRAM



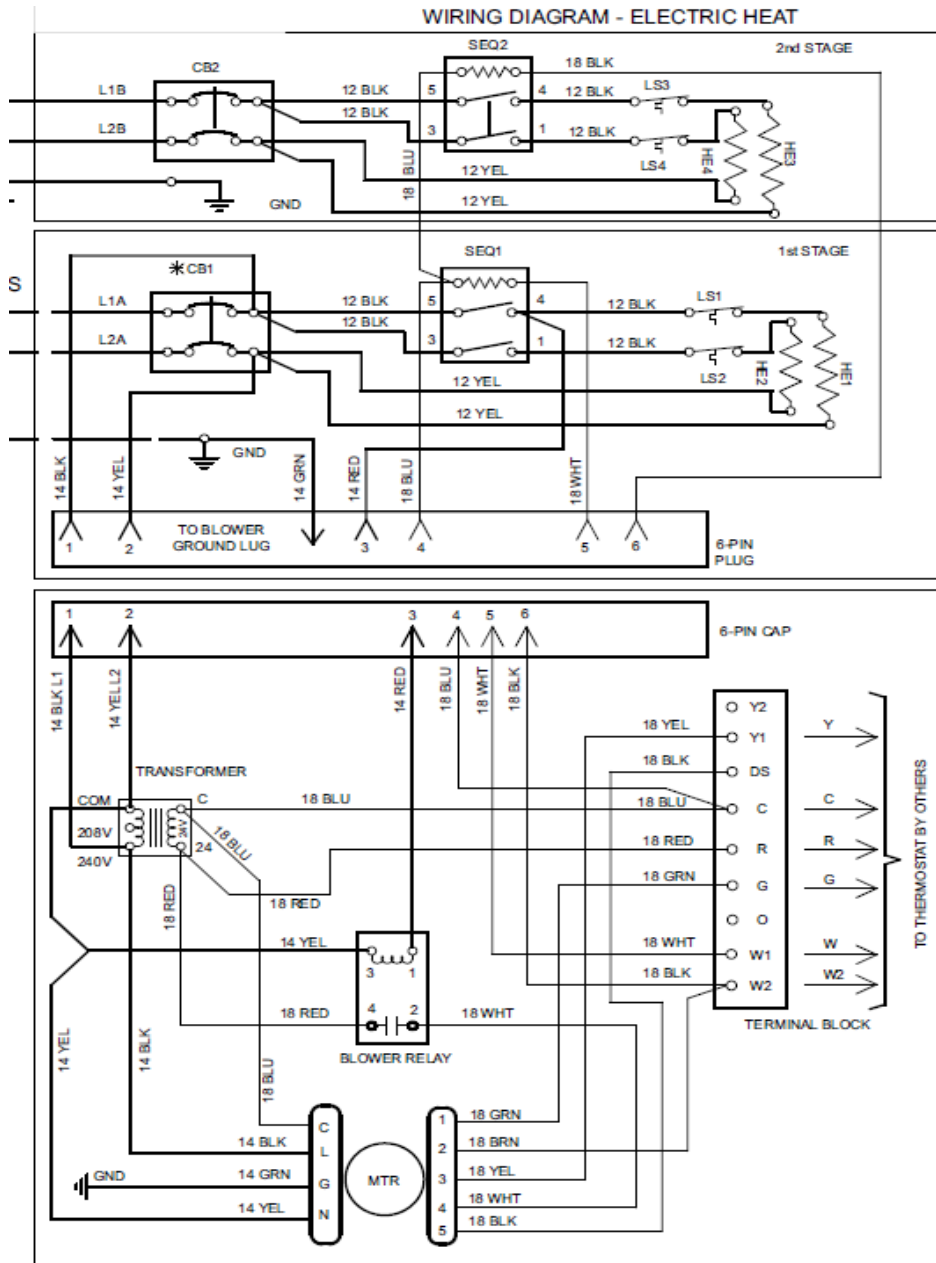
The brown and black wires that are not connected.

FOR DEALER DISTRIBUTION

Product Information Bulletin

BCE3M*E Air Handler Wiring Diagram

INCORRECT WIRING DIAGRAM



FOR DEALER DISTRIBUTION