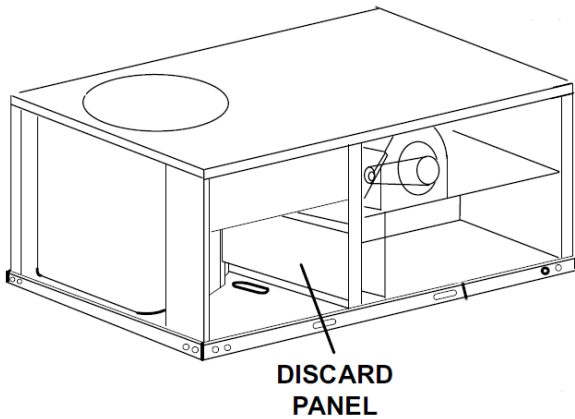


ZHA Heat Strip Installation Panel

On the ZHA's there is a panel that will be removed when installing electric heats strips. If no heat strips are going to be installed there is no need to caulk the bottom of the panel. There are slits in the edge of the base pan to keep water from getting into the supply or return area.



Below is a view from the return and supply side of how the panel should look like from the factory.



FOR DEALER DISTRIBUTION

ZHA Heat Strip Installation Panel

Below is a view for the condenser side of the panel and the drain slits to remove any water that may get into the supply and return side of the unit.



Condenser side of the removable panel.



Draining slits

FOR DEALER DISTRIBUTION

Product Information Bulletin