

80% GAS FURNACE JOBSITE INFORMATION SHEET

➤ **OWNER:**

Name: _____

Street: _____

City: _____ Zip/Postal _____

State/Province _____ Phone _____

➤ **SERVICING CONTRACTOR:**

Name: _____

Street: _____

City: _____ Zip/Postal _____

State/Province _____ Phone _____

➤ **PRODUCT INFORMATION**

Furnace Model Number: _____

Evaporator Model Number: _____

Installation Date: _____

➤ **TEMPERATURES (Figure 1)**

- TP 1 – Vent Outlet Temperature _____

- TP-2 – Return Air Temperature _____

- TP-3 – Supply Air Temperature _____

➤ **PRESSURES (Furnace Running): (Figure 1)**

- P-1 – Manifold _____

- P-2 – Inlet Gas _____

- P-3 – Vent Pressure Switch _____

- Gas Pipe Diameter _____

- LP or Natural Gas _____

- Burner Orifice Size _____

➤ **HIGH VOLTAGE CIRCUIT READINGS: (Figure 3)**

HV-1 & HV-6 – Line Voltage _____

HV-2 & HV-6 – Blower Motor _____

HV-3 & HV-6 – Combustion Air Inducer _____

HV-4 & HV-6 – Transformer _____

HV-1 & HV-7 – L1 TO Earth Ground _____

HV-6 & HV-7 – Neutral to Earth Ground _____

HV-5 & HV-6 – HIS Voltage during “warm-up” _____

➤ **LOW VOLTAGE CIRCUIT READINGS: (Figure 4)**

LV-8 & LV-9 – Transformer Control Voltage _____

LV-10 & LV-12 – Rollout and Limit Switches _____

LV-13 & LV-14 – Pressure and Aux Limit Switches _____

LV-15 & LV-16 – Gas Valve _____

LV-17 – Flame Sensor Micro Amps _____

➤ **Date:** _____

➤ **PROBLEM DESCRIPTION:**

➤ **DISTRIBUTOR:**

Name: _____

Street: _____

City: _____ Zip/Postal _____

State/Province: _____

Phone: _____

Serial Number: _____

Serial Number: _____

➤ **Vent (Figure 2)**

- Vent Material: Single Wall

Double Wall

HTPV

- Common Vent Used? Yes ___ No ___

1 Diameter of vent pipe _____

2 Total length of vent _____

3 Height above roof _____

4 Total Height _____

- Power Venter Used? Yes ___ No ___

➤ **Vent Connections: (Figure 2)**

FURNACE WATER HEATER

- Material Single Wall ___ Single Wall ___

Double Wall ___ Double Wall ___

HTPV ___ HTPV ___

5 Diameter _____

6 Height _____

➤ **OTHER NECESSARY DATA (Figure 2)**

- Is return air intake sealed and terminated outside furnace area? Yes ___ No ___

- Fault Code Number of Flashes (Fig. 1) _____

- Electronic Thermostat? Yes ___ No ___

REQUESTED BY: _____

Figure 1

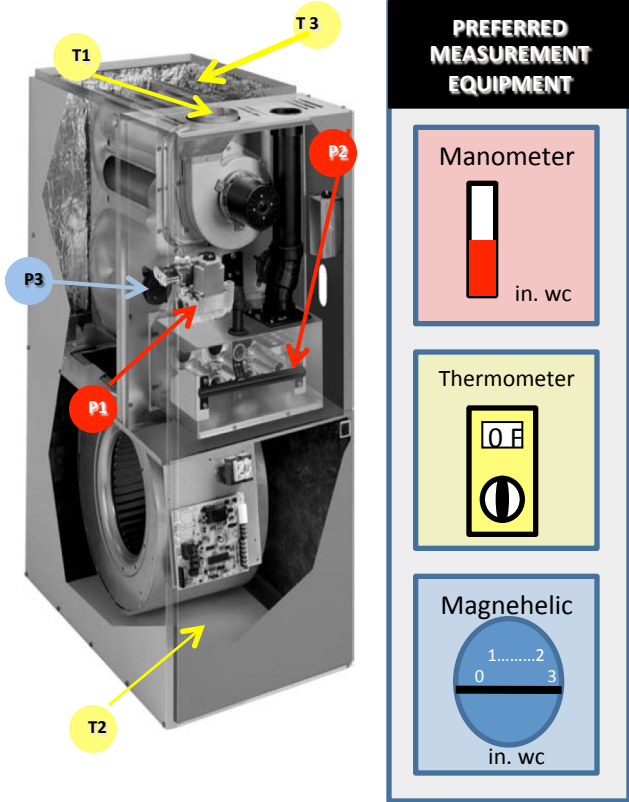


Figure 2

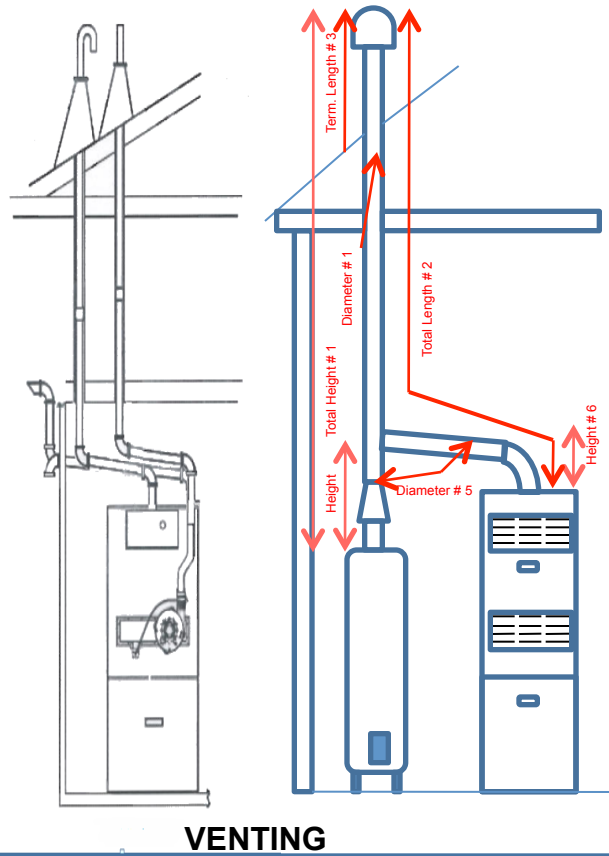


Figure 3

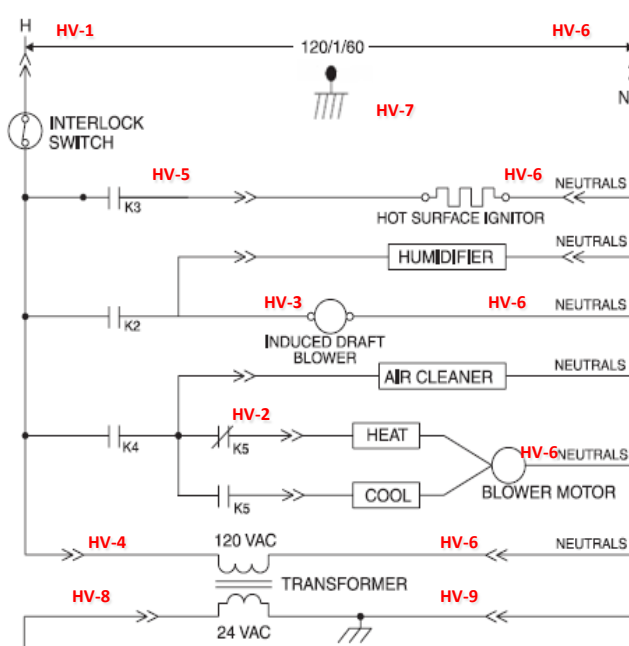


Figure 4

